

In This Issue

[PDIP Isolators](#)

[Opto Replacement](#)

Quick Links

[Sensor Selector Guide](#)

[Isolator Selector Guide](#)

[Online Store](#)

[Contact Us](#)

New Isolator Catalog

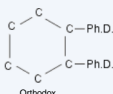
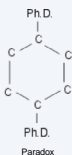


Hot off the presses, the popular IsoLoop Short-Form Catalog was updated in September and now includes CAN isolators.

Eight pages of the most useful data and applications, the catalog is essential for anyone who specifies or purchases isolators.

[Request the printed version](#) (the perfect addition to any coffee table) or [download the catalog](#).

Fun Formulas



Featured Product

PDIP Isolators

State-of-the-art technology in a venerable package



Pin-for-pin replacements for popular optocouplers, IsoLoop PDIP isolators provide higher speed, less distortion, and unlimited life without changing board layout.

Key PDIP isolator features include:

- JEDEC standard package
- 7 mm external high-voltage clearance
- Passive or digital inputs
- One or two channels (including bidirectional)
- CMOS or open-drain outputs
- Up to 125°C (T-Series)
- UL1577 / IEC 61010-2001
- 2.5 kVrms isolation (1 min.)
- 300 Vrms working voltage

A dozen PDIP isolator part types are currently [in stock](#) and available for immediate delivery with no minimum order:

Part Number	Mbps Data Rate	Tx/Rx Ch	Input	Output	Features	Max. Temp.
IL610-2	100	1/0	Passive	CMOS	Output Enable	85°C
IL610A-2	10	1/0	Passive	Open-drain	Output Enable	85°C
IL611-2	100	2/0	Passive	CMOS		85°C
IL611A-2	10	2/0	Passive	Open-drain		85°C
IL612-2	100	1/1	Passive	CMOS	Bi-directional	85°C
IL612A-2	10	1/1	Passive	Open-drain	Bi-directional	85°C
IL710-2	110	1/0	Digital	CMOS	Output Enable	100°C
IL711-2	110	2/0	Digital	CMOS		100°C
IL712-2	110	1/1	Digital	CMOS	Bi-directional	100°C
IL710T-2	110	1/0	Digital	CMOS	Output Enable	125°C
IL711T-2	110	2/0	Digital	CMOS		125°C
IL712T-2	110	1/1	Digital	CMOS		125°C

Buy Online
\$9.95 shipping

Application Corner

Drop-In Opto Replacement

By [Sandy Templeton](#)

Director, Isolator

Product Development and Applications

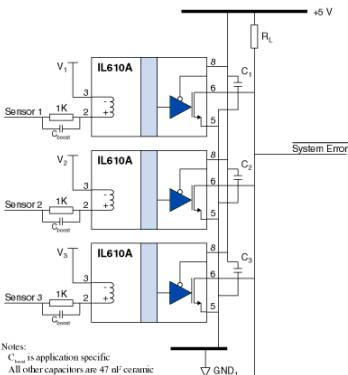
IL600A-Series passive-input isolators are designed as opto replacements with inputs similar to LEDs and outputs similar to phototransistors.

IsoLoop Isolators match optocoupler versatility but have smaller packages, less distortion, better reliability, and unlimited life.

Available packages include venerable PDIP8s (see story above) and SOIC8s. Unique MSOPs and SOIC16s are also available to reduce board space compared to optos.

Inputs can be configured for inverting or non-inverting operation and accommodate a wide input voltage range. Versions are available with either CMOS or open-drain outputs.

Open-drain outputs can be wire-ORed together much like an optocoupler:



This illustrative circuit provides fail-safe output (logic high output for zero coil current), 2.5 kVrms isolation, and 20 kV/μs transient immunity. Typical logic output sink current is 10 mA for each isolator.

[Application Bulletin AB-20—Optocoupler Alternatives \(.pdf\)](#)

Buy Online
\$9.95 shipping