

### In This Issue

[Distributor News](#)

[Think Thin!](#)

[Holiday Apps Corner](#)

### Quick Links

[Sensor Selector Guide](#)

[Isolator Selector Guide](#)

[Online Store](#)

[Contact Us](#)

### Awards & Accolades

NVE Chief Financial Officer **Curt Reynders** was included in the recent *Business Journal* list of Hardest-Working CFOs of Minnesota public companies.

His responsibilities include working hard to ensure fast credit checks for new customer accounts.

[<More Accolades>](#)

### Fun Fact

#### Diamonds Are Forever, and So Are IsoLoops

Diamonds are forever, and IsoLoop Isolators come pretty close.

Based on life tests, the calculated FIT is 0.2 failures per billion hours at 55°C, which is an MTBF of 570,000 years.

For details and test reports, contact our [Isolator Application Desk](#).

### Christmas Holiday

NVE will be closed for business Thursday and Friday, December 24 and 25.

We wish our customers the best this holiday season, and a successful 2010.

### Voicemail Playlist

The Muppets' "12 Days of Christmas" is playing on our voicemail background music.

## Distributor News

### Shanghai Channel

**Shanghai Channel Electronic Science and Technology Co., Ltd.** was recently appointed a franchised distributor for IsoLoop Isolators in China.



Shanghai Channel's Website has extensive information on NVE parts and applications in Chinese, and provides hotline applications support by native Mandarin Chinese speakers.

NVE products are available in more than 75 countries and our distributors speak countless languages.

[<Isolator Distributor Network>](#)

## Featured Products

### Narrow-Body SOIC-16 Isolators

**IsoLoop-3 Think Thin!** Three" Isolators provide a full line of unique 0.15", narrow-body SOIC-16 isolators—half the size of other isolators.

Like all IsoLoop Isolators, these products feature minimal signal distortion, wide temperature range, low power consumption, and unlimited life. Narrow-body isolators are available in a variety of input, output, and channel configurations, as well as a full line of isolated RS-485/RS-422/PROFIBUS transceivers.



Key narrow-body isolator features include:

- 0.15", 16-pin SOIC
- Passive or digital inputs
- Three, four, or five channels or isolated RS-422/RS-485
- IEC 61010-2001 approved
- 125°C (IL700T-Series)

Nearly 20 Dash Three isolator part types are currently [in stock](#) and available for immediate delivery with no minimum order:

Part Number	Mbps Data Rate	Tx/Rx Chan	Input	Key Features	Max. Temp.
IL514-3	2	2/1	Digital	DC correct; Output Enable	85°C
IL516-3	2	2/2	Digital	DC correct	85°C
IL613-3	100	3/0	Passive		85°C
IL614-3	100	2/1	Passive	Output Enable	85°C
IL715-3	110	4/0	Digital	Output Enable	100°C
IL716-3	110	2/2	Digital		100°C
IL717-3	110	3/1	Digital		100°C
IL715T-3	110	4/0	Digital	High Temperature	125°C
IL716T-3	110	2/2	Digital	High Temperature	125°C
IL717T-3	110	3/1	Digital	High Temperature	125°C
IL260-3	110	5/0	Digital	Five Channel	85°C
IL261-3	110	4/1	Digital	Five Channel	85°C
IL262-3	110	3/2	Digital	Five Channel	85°C
IL3122-3	5	RS-422	Passive	32 nodes; 15 kV Bus ESD	85°C
IL3185-3	5	RS-485	Passive	32 nodes; 15 kV Bus ESD	85°C
IL3222-3	5	RS-422	Passive	Fractional Load (256 nodes)	85°C
IL3285-3	5	RS-485	Passive	Fractional Load (256 nodes)	85°C
IL3422-3	20	RS-422	Passive	32 nodes; 15 kV Bus ESD	85°C
IL3485-3	20	RS-485	Passive	32 nodes; 15 kV Bus ESD	85°C

[Buy Online](#)  
\$9.95 shipping

## Holiday Application Corner

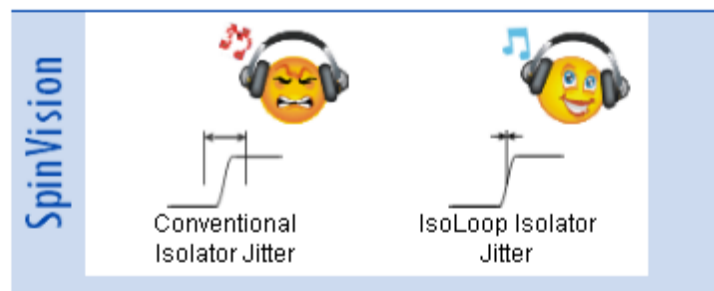
### Eliminating Holiday Jitters

By **"Steady" Sandy Templeton**

*Director, Isolator Product Development and Applications*

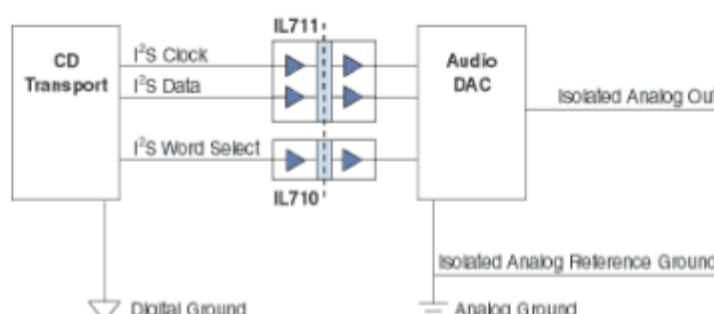
Holiday stress can make us jittery, but isolators don't have to.

Audio applications are an example of where minimizing isolator jitter is especially important:



NVE's IL700 and IL600 Series Isolators have an unmatched 100 ps of jitter, making them ideal for audio circuits or anywhere you want to cure the jitters.

It is extremely desirable to have serial data from a CD or MP3 source isolated from the analog portions of the sound system to eliminate ground loops (speaker hum) and high frequency pickup caused by digital currents flowing in analog current paths:



**Low-Jitter Isolated CD Transport Circuit**

Almost any isolator can cure your hum and high frequency current noise problems, but isolator jitter adds phase shift to the PCM data stream, playing havoc with the sonic qualities of the output DAC.

Jitter creates similar problems in precision measurement systems using isolated delta-sigma ADCs. Clock edge placement is directly related to conversion resolution. IsoLoop isolators ensure best-case isolation performance without the tradeoffs caused by the jitters.

[<Definition of Jitter and Related Terms \(NVE Glossary\)>](#)

[<Isolator Selector Guide>](#)