

In This Issue

[Rhopoint Korea](#)

[IL600 Isolators](#)

[Valentine's Apps Corner](#)

Quick Links

[Sensor Selector Guide](#)

[Isolator Selector Guide](#)

[Online Store](#)

[Contact Us](#)

In the News

NVE is the subject of the cover story titled, "Giant Effect: GMR as a Replacement for Optocoupler Applications" in the January issue of *ElektronikJournal*, a leading German trade magazine.

The article covers the advantages of NVE's GMR technology over conventional alternatives such as optocouplers and Hall-effect sensors.

“For such a young technology, IsoLoop couplers are already in a very wide range of uses.”

Isolator Apps Brochure

The popular IsoLoop Isolator Application Brochure has been revised. The brochure is eight pages chock full of innovative isolator circuits.



[<Download .pdf>](#)

Fun Formulas



Ice Cube

Voicemail Playlist



In recognition of Valentine's Day, our phone system background music is an instrumental version of "Memory," music from Cats.

NVE is a pioneer in spintronic memory technology, commonly known as MRAM.

To hear the background music, call (952) 996-1639, option 9.

Distribution News

Rhopoint Korean Office

Rhopoint Components-Asia recently opened a new office in Seoul, South Korea that will provide sales and application support for NVE products.



Founded in 1975, Rhopoint became one of NVE's first distributors in 1995.

NVE's award-winning products are available in more than 75 countries and our distributors speak countless languages, including Korean.

[<Rhopoint Sensors>](#)

[<Rhopoint Isolators>](#)

Featured Products

IL600-Series Opto Replacement Isolators

The award-winning IL600 and IL600A Series Isolators provide unique passive inputs for flexibility similar to LED-input optocouplers.



Key features are:

- Unlimited Life
- MSOP Packages Available
- Failsafe Output
- 3.3 V or 5 V Power Supply
- -40°C to 85°C Temperature Range
- Low EMC Footprint
- 2.5 kVrms Isolation (1 min.)
- UL1577 and IEC061010 Approved

All part types are [in stock](#) and available for same-day shipment, with no minimum order:

Part Number	Mbps Data Rate	Tx Ch	Rx Ch	Output	Packages
IL610	100	1	0	CMOS	Bare die, MSOP-8, SOIC-8, PDIP-8
IL610A	10	1	0	Open-drain	Bare die, MSOP-8, SOIC-8, PDIP-8
IL611	100	2	0	CMOS	CMOS MSOP-8, SOIC-8, PDIP-8
IL611A	10	2	0	Open-drain	CMOS MSOP-8, SOIC-8, PDIP-8
IL612	100	1	1	CMOS	SOIC-8, PDIP-8
IL612A	10	1	1	Open-drain	SOIC-8, PDIP-8
IL613	100	3	0	CMOS	0.15" SOIC-16, 0.3" SOIC-16
IL614	100	2	1	CMOS	0.15" SOIC-16, 0.3" SOIC-16

Buy Online
\$9.95 shipping

Valentine's Day Application Corner

Love IsoLoops; Hate Optos

By **Sandy "the Romantic" Templeton**

Director, Isolator Product Development and Applications



Hate optos? You're not alone

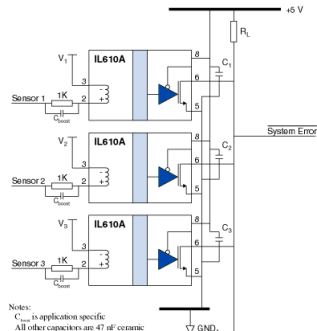
IsoLoop Isolators match optocoupler versatility but have smaller packages, less distortion, better reliability, and unlimited life.

IL600A-Series passive-input isolators are designed to be opto replacements with inputs similar to LEDs and outputs similar to phototransistors.



Inputs can be configured for inverting or non-inverting operation and accommodate a wide input voltage range. Versions are available with either CMOS or open-drain outputs.

Open-drain outputs can be wire-ORed together much like an optocoupler:



This illustrative circuit provides fail-safe output (logic high output for zero input current), 2.5 kVrms isolation, and 20 kV/μs transient immunity. Typical logic output sink current is 10 mA for each isolator.

So this Valentine's Day, fall in love with IsoLoop Isolators—the opto alternativeSM.

[Application Bulletin AB-20—Optocoupler Alternatives \(.pdf\)](#)

Buy Online
\$9.95 shipping