

In This Issue

[IL800-Series Isolators](#)

[Distributor News](#)

[Isolated SPI](#)

Quick Links

[Sensor Selector Guide](#)

[Isolator Selector Guide](#)

[Online Store](#)

[Contact Us](#)

New Products

[IL814 High-Performance Isolator](#)
(see story at right).

New Documents

[IL800-Series Isolator datasheet](#)
Includes the new IL814 Isolator (see story at right), as well as future models.

IL814 High-Performance Isolator

The first member of the ground-breaking IL800-Series Isolator family is the IL814T-3E three-channel isolator.



The IL800-Series is the industry's new top-of-the-line, with best-in-class specifications:

- 125°C max. operating temperature
- 110 Mbps
- 10 ns propagation delay
- DC-correct; deterministic power-up
- 50 kV/μs typ.; 30 kV/μs min. transient immunity
- VDE 0884 compliant—600 Vrms WV
- 44000-year barrier life
- Low EMC footprint
- 16-pin narrow-body SOIC

The IL814T-3E is [in stock](#) for immediate delivery. Watch this space for more IL800-Series Isolators.

[Product Datasheet >](#)

Buy Online
\$9.95 shipping

Distributor News

Sensing Catalog



NVE sensors were prominently featured in a new Newark *Sensing Products and Solutions* catalog.

Newark/ element14 recently began distributing NVE sensors.

[Sensor Distributor Network >](#)

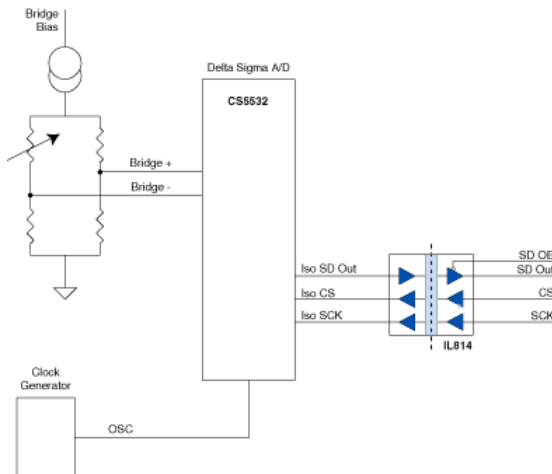
Application Corner

Isolated Delta-Sigma SPI Interface

Isolating the SPI in a delta-sigma A-to-D convertor circuit improves resolution by eliminating ground loops and reducing noise.

This increases Signal-to-Noise Ratio plus Distortion (SINAD) and therefore Effective Number of Bits (ENOB).

Here's an illustration using the new IL814:



Isolated Delta-Sigma ADC

Multiple channels can easily be combined using the IL814's output enable function.